

F

E

D

C

B

A

4

4

3

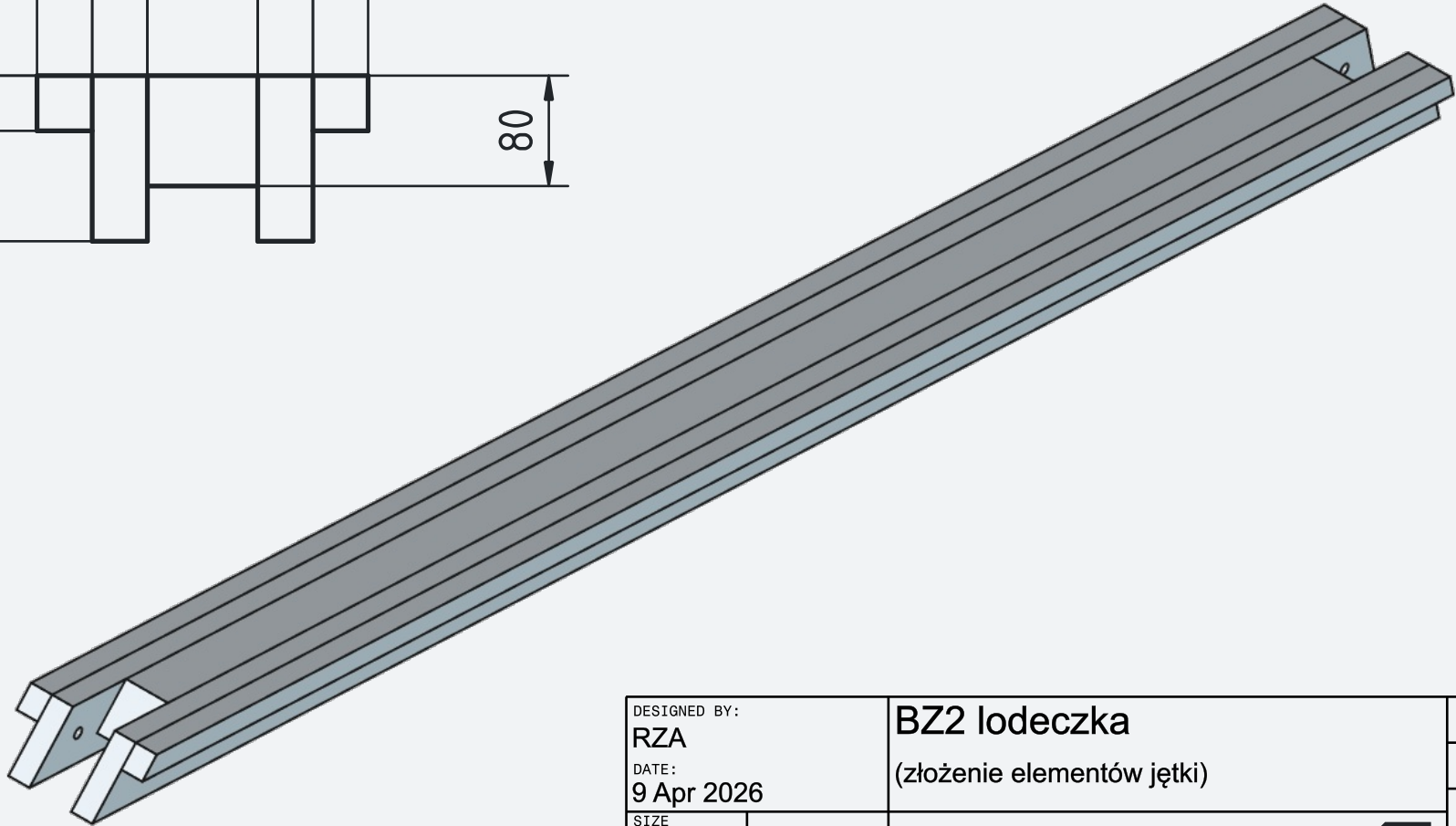
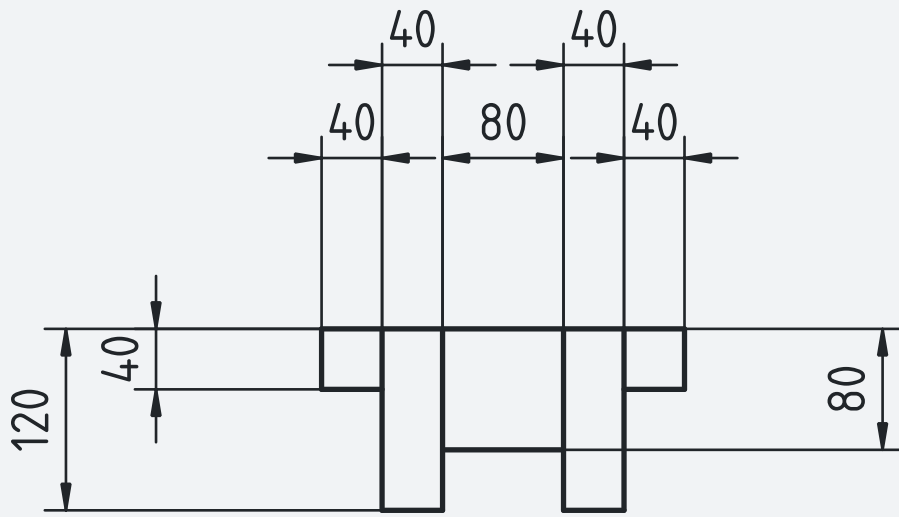
3


2

2

1

1



DESIGNED BY: <b>RZA</b>		<b>BZ2 łodeczka</b>		G	—	
DATE: <b>9 Apr 2026</b>		(złożenie elementów jętki)		F	—	
SIZE <b>A4</b>				E	—	
SCALE <b>1 : 1</b>				WEIGHT (kg) <b>Weight</b>	DRAWING NUMBER <b>BZ2_ASM_łodeczka_2026-04-09</b>	D
SCALE <b>1 : 1</b>		WEIGHT (kg) <b>Weight</b>	DRAWING NUMBER <b>BZ2_ASM_łodeczka_2026-04-09</b>	SHEET <b>8</b>	C	—
This drawing is our property; it can't be reproduced or communicated without our written consent.					B	—
					A	—

F

E

D

1

1