

F

E

D

C

B

A

4

3

2

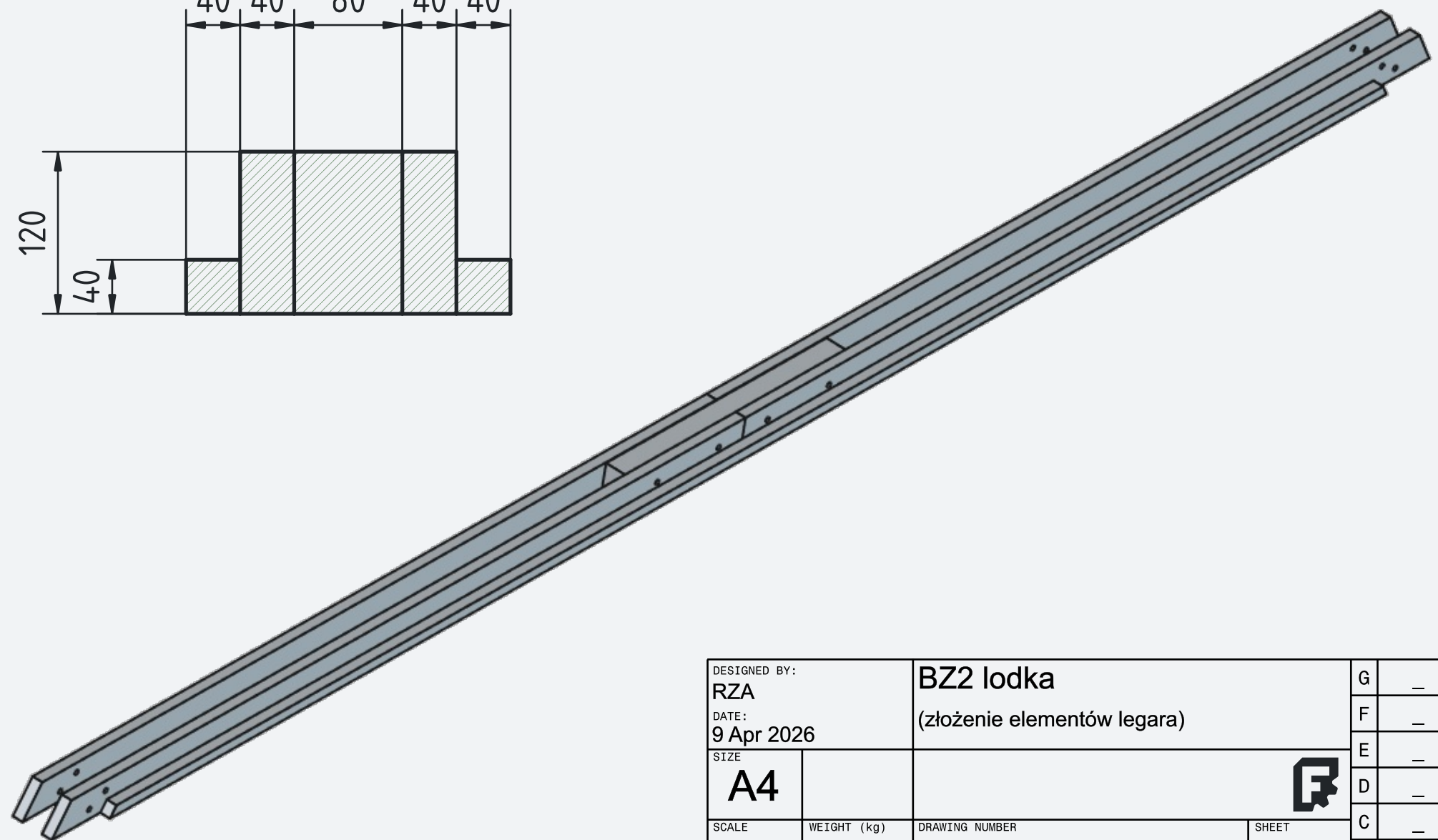
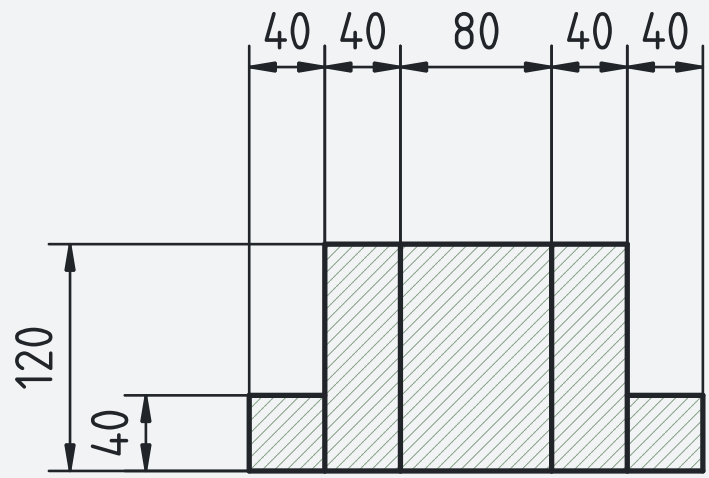
1

4

3

2

1



DESIGNED BY: RZA		BZ2 lodka		G	—	
DATE: 9 Apr 2026		(złożenie elementów legara)		F	—	
SIZE A4				E	—	
SCALE 1 : 1				WEIGHT (kg) Weight	DRAWING NUMBER BZ2_ASM_lodka_2026-04-09	DRAWING NUMBER 9
SCALE 1 : 1		WEIGHT (kg) Weight	DRAWING NUMBER BZ2_ASM_lodka_2026-04-09	SHEET 9	C	—
This drawing is our property; it can't be reproduced or communicated without our written consent.					B	—
					A	—

F

E

D